

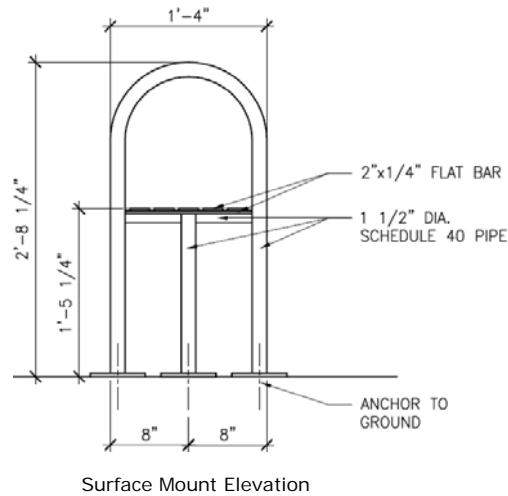
Specification Sheet

Park 'n Sit

www.bikerack.com/benches/parknsit: specs, gallery, CAD drawings, and more.

Specifications

The Park 'n Sit bench rack comes in two sizes: 1-Bike models are 5' 8" long and 2-Bike models are 6' long. The bench racks are constructed of 1 1/2" (1 7/8" O.D.) Sch. 40 steel pipe. The seat slats are 2" x 1 1/4" steel flat bar. The base plates are 4 1/2" dia. x 1/4" with two 1/2" anchor holes in each.



Finish Options

Powder Coat Paint

Polyester powder coat. Standard color: black hammer.

Thermo Plastic Coating

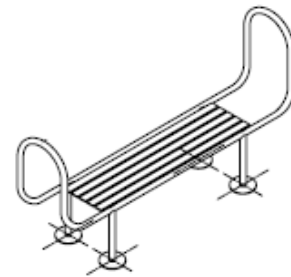
A kind-to-the-bike (soft to the touch) finish. Standard color: black.



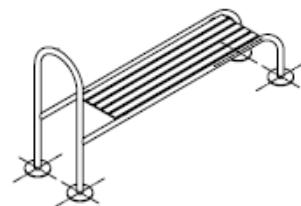
Styles



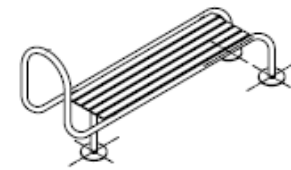
A1
two bikes



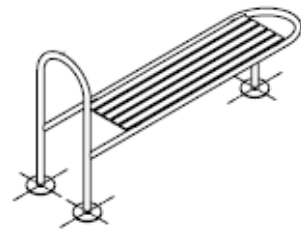
B1
two bikes



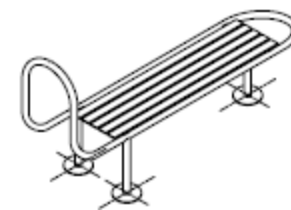
A2
one bike



B2
one bike



A3
one bike



B3
one bike