

# Wall Mount (Stand-Up)

Made in the USA



Simply stand the bike up, hook the front wheel, and let gravity take over – the bike rests into place. No lifting required and the bike is not suspended so there is minimal weight on the front wheel. This vertical bike rack allows the user to U-Lock for REAL bike security! Designed for indoor and outdoor bike rack parking. This vertical bike rack is utilized in Bike Rooms, Commercial Parking Garage, Residential Garage or where organized bike rack parking and bike rack security is needed.

## Standard Finish

Powder Coat Paint Black

## Optional Finish

Galvanized Hot-dipped after fabrication

Powder Coat Paint

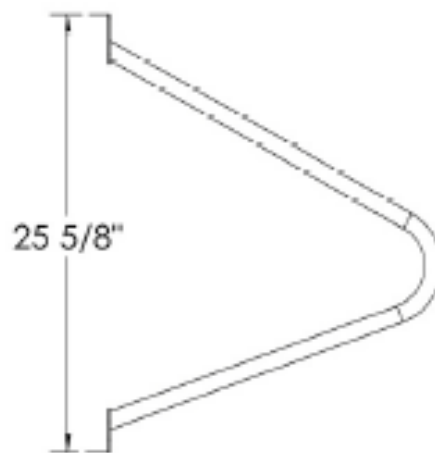
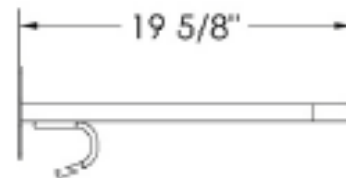
See Color Chart & Zinc prime coat

Thermo-plastic Coating

## Mounting Options

Wall Mount

(see mounting instructions sheet)



Function First Design, LLC  
www.BikeRack.com  
120 S. Houghton Rd.  
Suite 138-153  
Tucson, AZ 85747  
520-322-9626  
sales@BikeRack.com

www.BikeRack.com

