

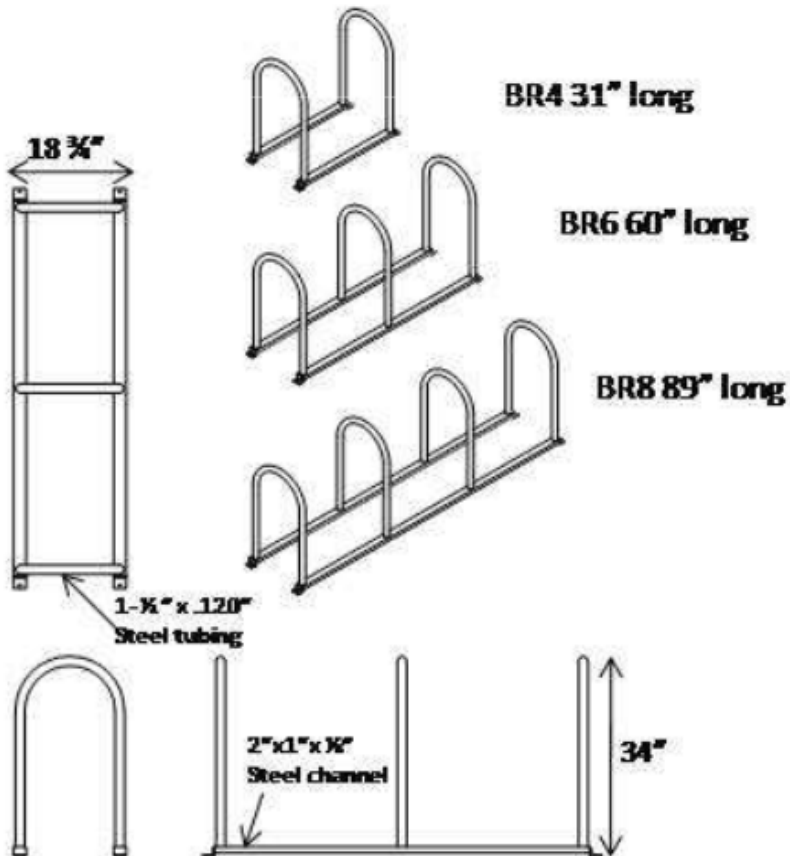
# RibRack

Made in the USA



Stable, secure, easy to use, no-nonsense bike parking. The Rib Rack has been an industry standard for the last 20 years, replacing the old wheel bender racks in schoolyards, playgrounds and city streets throughout the USA.

Four, Six or Eight Bikes  
Functional Design  
Fully Welded to Rails  
Great for Bike Corrals



## Standard Finish

Powder Coat Paint Black Hammered

## Optional Finish

Galvanized Hot-dipped after fabrication

Powder Coat Paint

See Color Chart & Zinc prime coat

Thermo-plastic Coating

## Mounting Options

Surface Mount

(see mounting instructions sheet)



Function First Design, LLC  
www.BikeRack.com  
120 S. Houghton Rd.  
Suite 138-153  
Tucson, AZ 85747  
520-322-9626  
sales@BikeRack.com

Only available in surface mount (shown in photos)

www.BikeRack.com