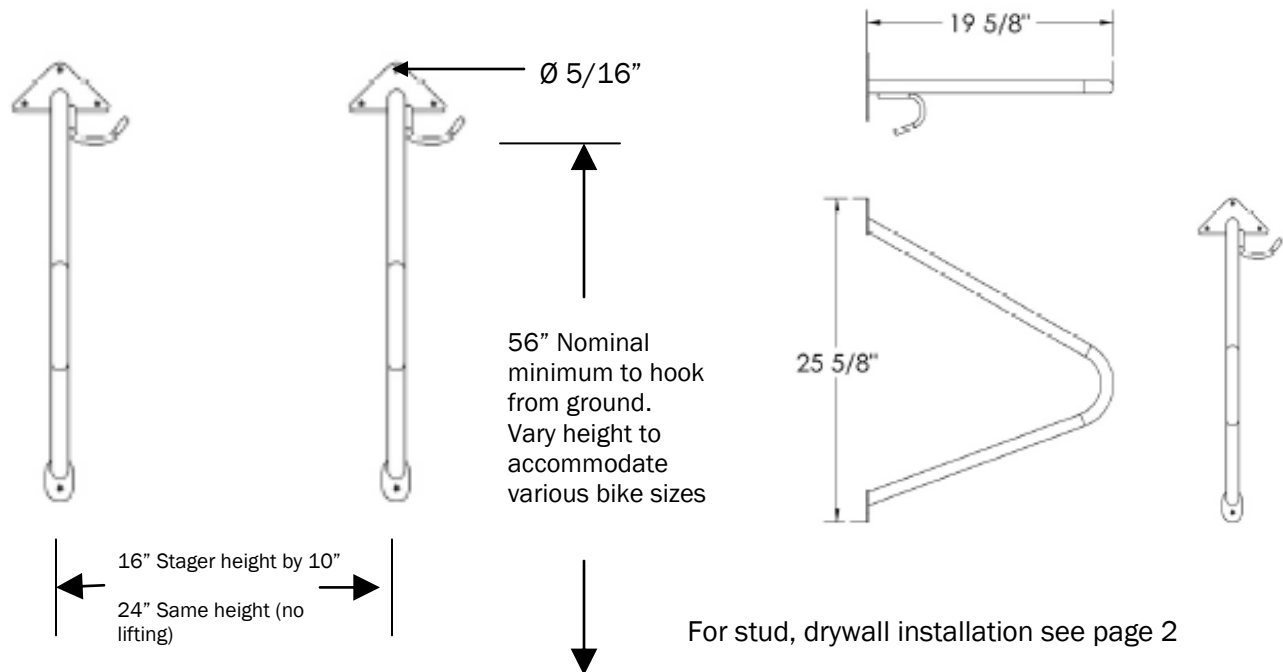


# Wall Mount Installation Instructions

Made in the USA



## Suggested Fasteners

### Concrete/Solid Walls



#### 1/4" Nail drive

- Fast and easy
- Use on solid concrete
- Permanent installation
- Install w/ rack in place



#### 1/4" Lag w/ Shield

- Use on asphalt
- Removable installation



#### 1/4" Drop-in w/ SS button head bolt

- Use on solid concrete
- Removable installation



#### 1/4" Powers WedgeBolt®

- Fast and easy
- Use on solid concrete
- Removable installation
- Install w/ rack in place



#### 1/4" Powers Spike®

- Fast and easy
- Use on solid concrete
- Permanent installation
- Install w/ rack in place



Function First Design, LLC

[www.BikeRack.com](http://www.BikeRack.com)

520-322-9626

120 S. Houghton Rd.

Suite 138-153

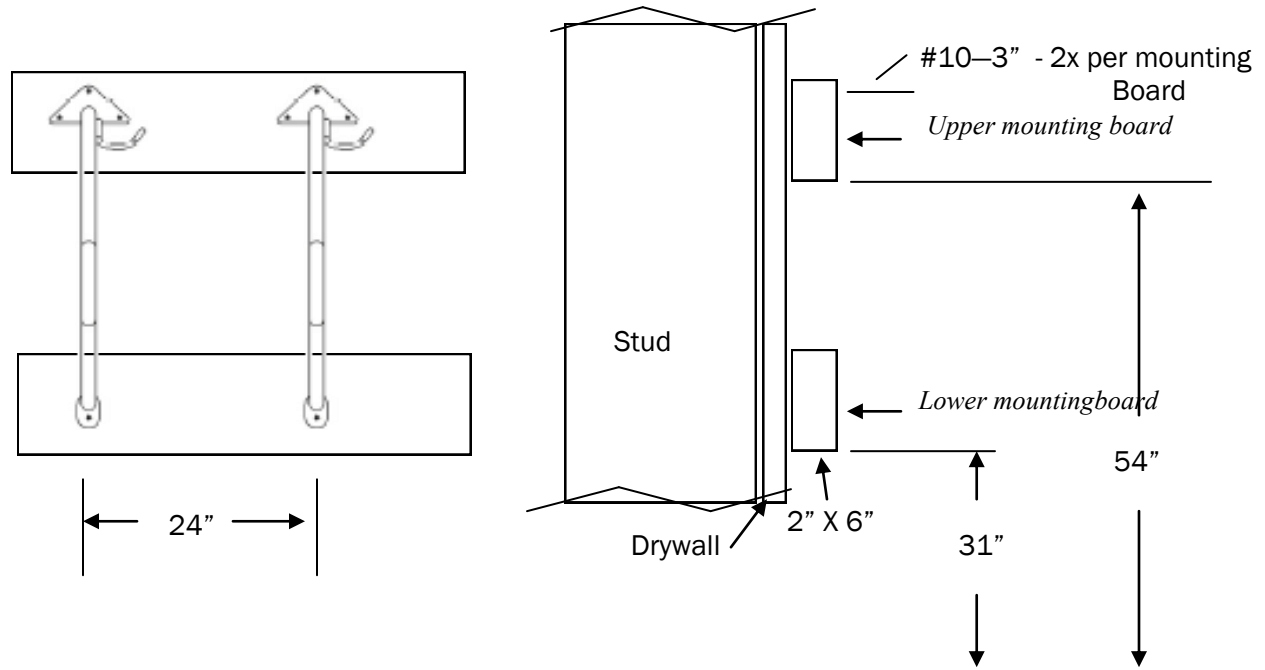
Tucson, AZ 85747

[www.BikeRack.com](http://www.BikeRack.com)

# Wall Mount Installation Instructions

Made in the USA

## Drywall Installation



Stud walls are typically 16" on center. Stagger height by 10" for 16" on center installation (use lag screw indicated below). For 24" spacing (no bike lifting), see below.

1. New construction: Install (qty 2) 2"x 6" mounting boards. Locate upper board at 54" from ground. Locate lower board at 31" from ground. (See image above.) Install mounting boards prior to drywall installation.
2. Existing construction: Install the mounting boards on top of the drywall. Follow dimensions above.



Stardrive coated deck screw, #10—3" (for mounting boards on outside of drywall) - pre-drill per hardware recommendation.



Lag Screw, 1/4" X 1-1/2" with washer (for mounting the bike rack to mounting boards) - pre-drill 1/8" hole (6 per rack)

16" on center: Lag Screw, 5/16" X 2", pre-drill 3/16" hole. Use two per rack, center holes only to mount to wall stud

Customer is responsible for ensuring structure that the rack or frame is mounted to is sufficient to support the loads of the racks and bikes. Care should be taken to avoid existing electrical wires and other hazardous items in the wall.



Function First Design, LLC  
www.BikeRack.com  
520-322-9626

120 S. Houghton Rd.  
Suite 138-153  
Tucson, AZ 85747

www.BikeRack.com