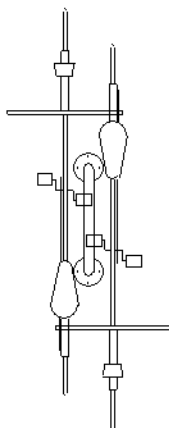
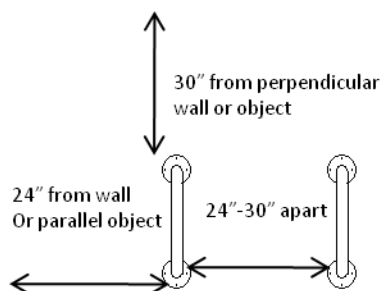


# Specification Installation Instructions

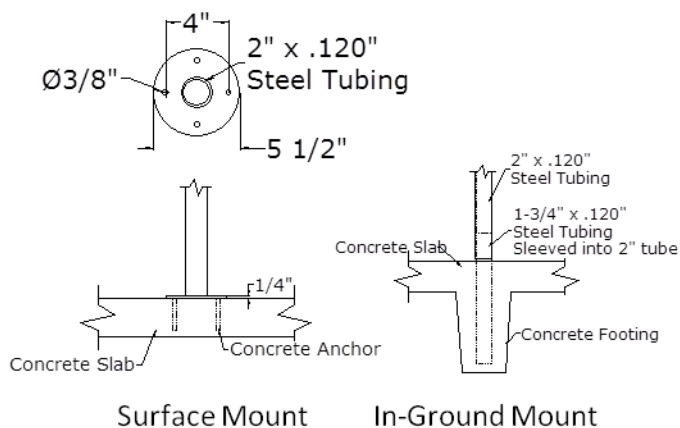
Made in the USA

## Suggested Spacing



## Mounting Options

(excludes Bike Rib 1.5)



Surface Mount

In-Ground Mount

## Suggested Fasteners



### 1/4" Nail drive

- Fast and easy
- Use on solid concrete
- Permanent installation
- Install w/ rack in place



### 1/4" Lag w/ Shield

- Use on asphalt
- Removable installation



### 1/4" Drop-in w/ SS button head bolt

- Use on solid concrete
- Removable installation



### 1/4" Powers WedgeBolt®

- Fast and easy
- Use on solid concrete
- Removable installation
- Install w/ rack in place



### 1/4" Powers Spike®

- Fast and easy
- Use on solid concrete
- Permanent installation
- Install w/ rack in place



Function First Design, LLC

www.BikeRack.com

520-322-9626

120 S. Houghton Rd.

Suite 138-153

Tucson, AZ 85747

www.BikeRack.com

