

Flow Rack

Made in the USA



The Flow Rack combines the proven functionality of the Inverted-U rack with a contemporary sculptural appeal resulting in an aesthetic, user friendly rack that provides organized bike parking and an efficient use of space .

4, 6, or 8 Bikes

**No Bike Interference
Contemporary Design
Great Functionality**

Standard Finish

Powder Coat Paint Black Hammered

Optional Finish

Galvanized Hot-dipped after fabrication

Powder Coat Paint

See Color Chart & Zinc prime coat

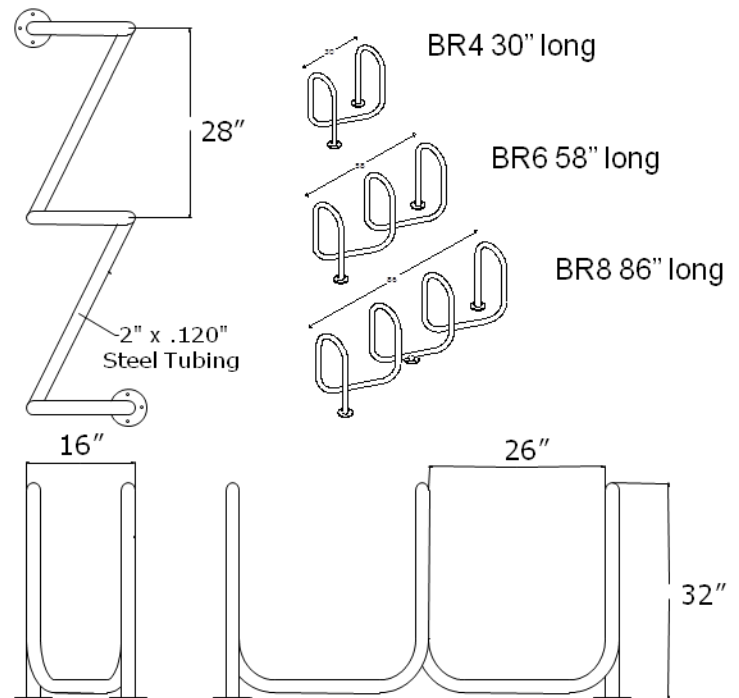
Thermo-plastic Coating

Mounting Options

Surface Mount

In-Ground Mount

(see mounting instructions sheet)



Function First Design, LLC
www.BikeRack.com
120 S. Houghton Rd.
Suite 138-153
Tucson, AZ 85747
520-322-9626
sales@BikeRack.com

www.BikeRack.com

