

BikeRib 2.0

Made in the USA



The Bike Rib 2.0 fits where other racks won't. The Bike Rib's user friendly design allows easy lock-up of the bike frame and wheels while promoting organized and efficient bike parking.

2 Bikes

Easy Location Fit

Standard Unit

(usually in stock)

Standard Finish

Powder Coat Paint Black Hammered

Optional Finish

Galvanized Hot-dipped after fabrication

Powder Coat Paint

See Color Chart & Zinc prime coat

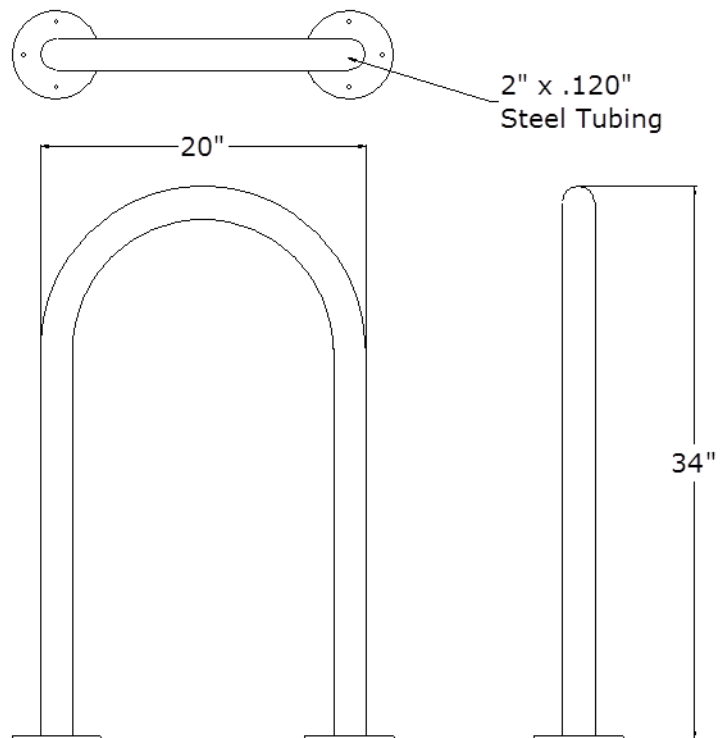
Thermo-plastic Coating

Mounting Options

Surface Mount

In-Ground Mount

(see mounting instructions sheet)



Function First Design, LLC
www.BikeRack.com
120 S. Houghton Rd.
Suite 138-153
Tucson, AZ 85747
520-322-9626
sales@BikeRack.com

www.BikeRack.com