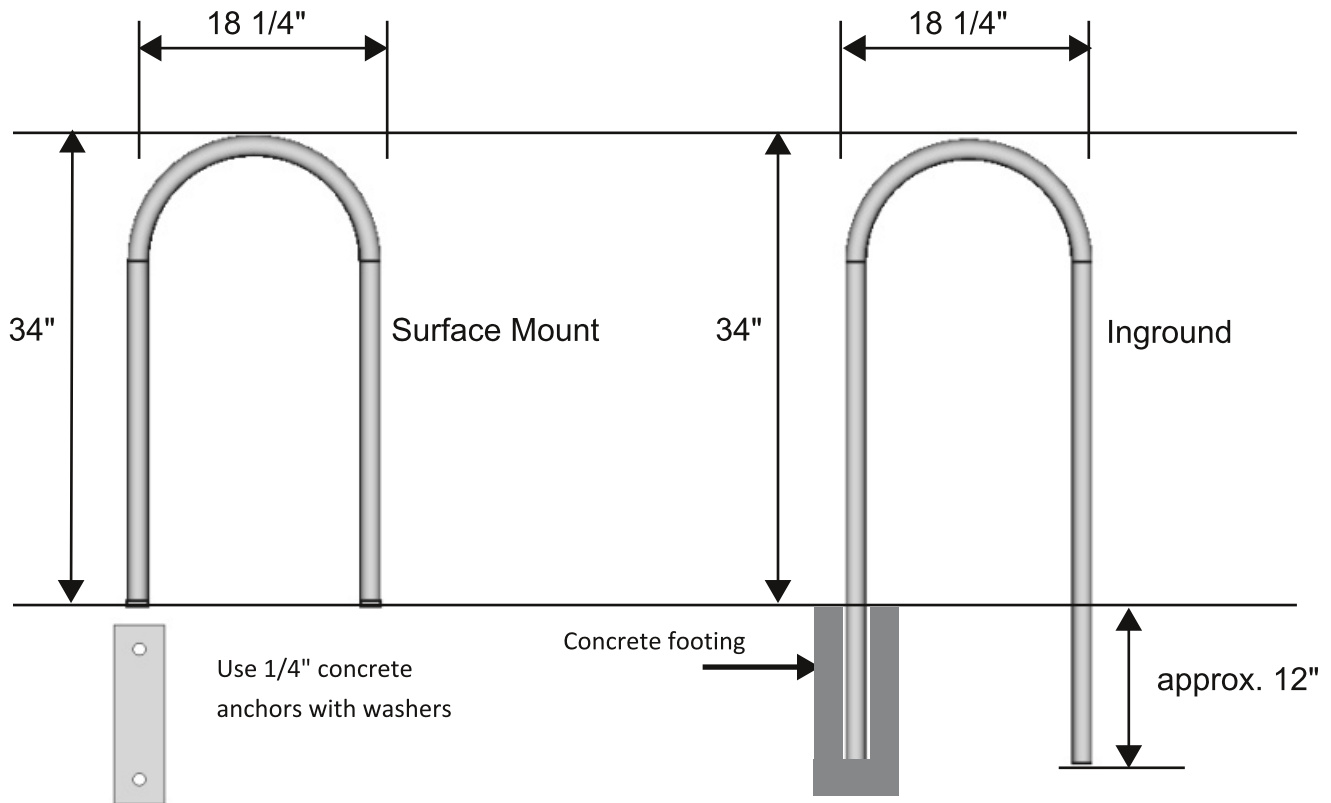


# Function First Design

## BikeRib 1.5

### U Style Bike Rack (the Original)



Dimensions are reference only. Stainless version dimensions vary slightly.

#### Material

Steel Tube - 1.5" OD X 0.120 Wall

- Steel Tube (standard)
- 304 Stainless Satin #4 finish

#### Mounting Configurations

- IG-Inground (approx 12" in concrete)
- SM-Surface Mount

#### Finish Options

- BH-Powder Coat Black Hammer, TGIC Polyester, Sandblasted and primer
- GV-Hot Dipped Galvanized, post fabrication
- XX-Power Coat other color
- SS-Brushed Satin #4 finish (304 SS only)



#### BikeRib-1.5-SM-BH

ex - BikeRib 1.5 surface mount, polyester powder coat black hammer

**BikeRack.com**  
 Function First Design, LLC  
 120 S. Houghton Rd, Ste. 138-153  
 Tucson, AZ 85747  
 520.322.9626 Sales@BikeRack.com