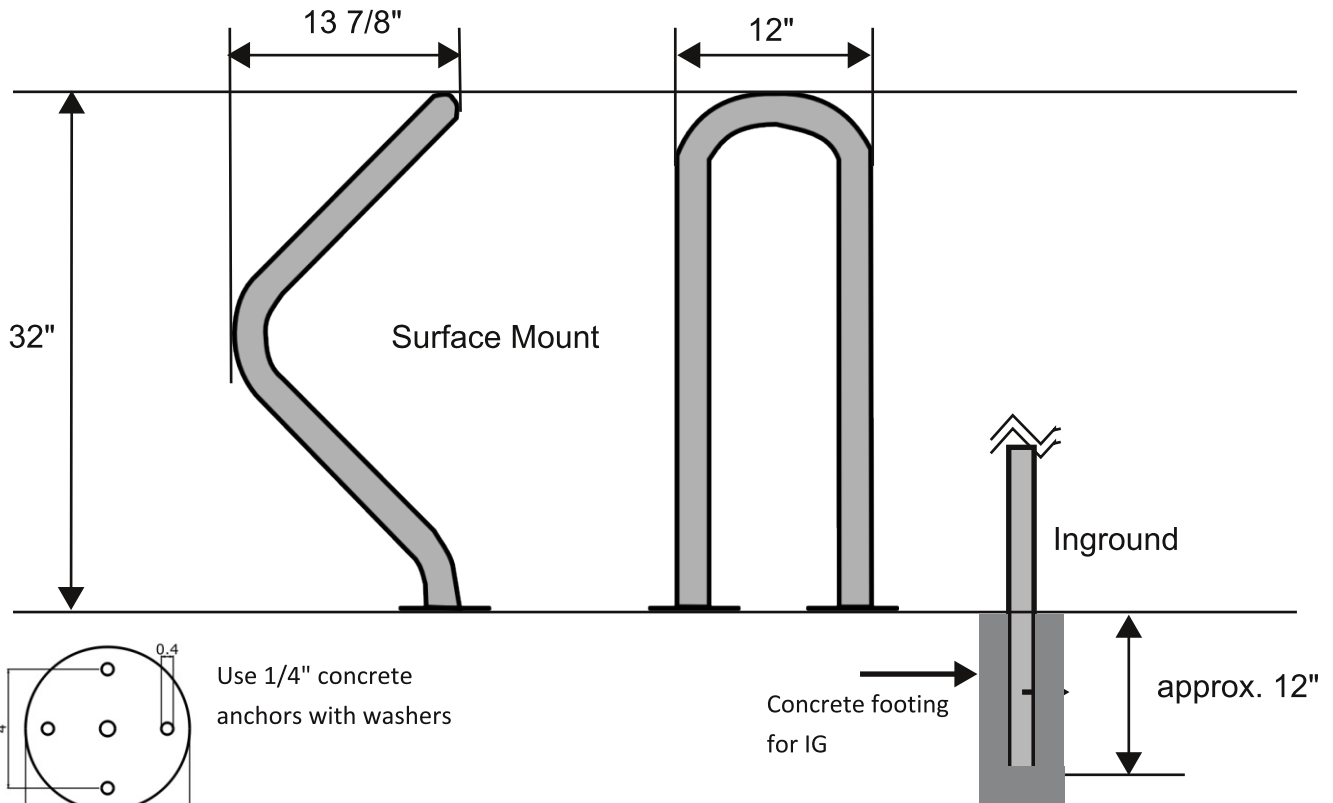


Function First Design

BikeBot

Functional Modern Style



Dimensions are reference only. Stainless version dimensions vary slightly.

Material

Steel Tube - 2" OD X 0.120 Wall

- Steel Tube (standard)
- 304 Stainless Satin #4 finish

Mounting Configurations

- IG-Inground (approx 12" in concrete)
- SM-Surface Mount

Finish Options

- BH-Powder Coat Black Hammer, TGIC Polyester, Sandblasted and primer
- GV-Hot Dipped Galvanized, post fabrication
- XX-Power Coat other color
- SS-Brushed Satin #4 finish (304 SS only)



BikeBot-SM-BH

ex - BikeBot, surface mount, polyester powder coat black hammer

BikeRack.com
 Function First Design, LLC
 120 S. Houghton Rd, Ste. 138-153
 Tucson, AZ 85747
 520.322.9626 Sales@BikeRack.com