

BikeBot

Made in the USA



The Bikebot stands ready to hold two bikes. The Bikebot provides ample area of contact with bikes to support them and is angled to reflect the down tube of the bike making it easy to lock the bike frame and front wheel with a standard U-lock. And it can dance

2 Bikes
Elegant Design
No Bike Interference

Standard Finish

Powder Coat Paint Black Hammered

Optional Finish

Galvanized Hot-dipped after fabrication

Powder Coat Paint

See Color Chart & Zinc prime coat

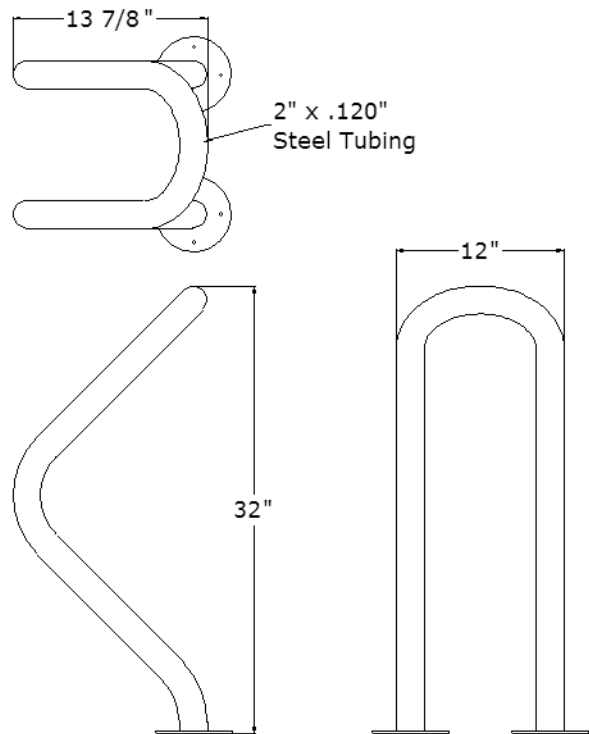
Thermo-plastic Coating

Mounting Options

Surface Mount

In-Ground Mount

(see mounting instructions sheet)



Function First Design, LLC
www.BikeRack.com
120 S. Houghton Rd.
Suite 138-153
Tucson, AZ 85747
520-322-9626
sales@BikeRack.com